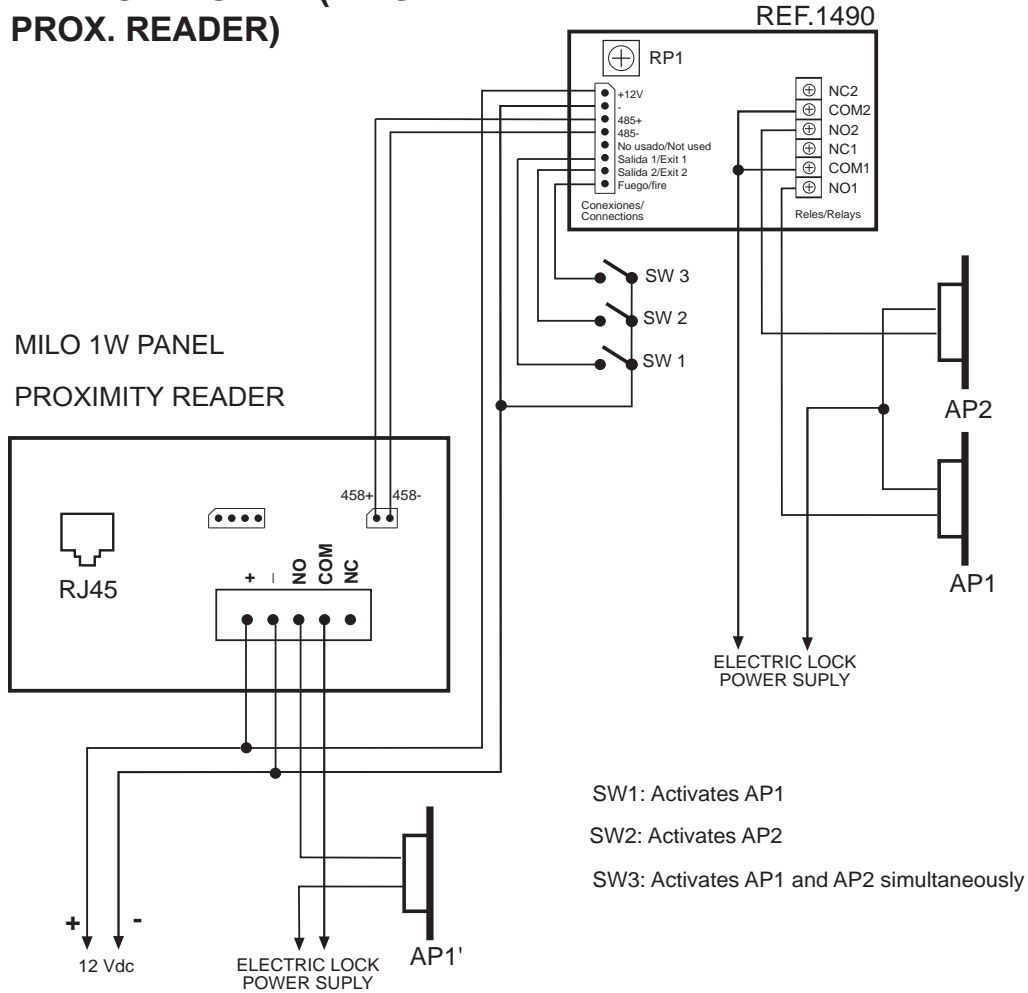


DUAL RELAY MEET MODULE REF. 1490

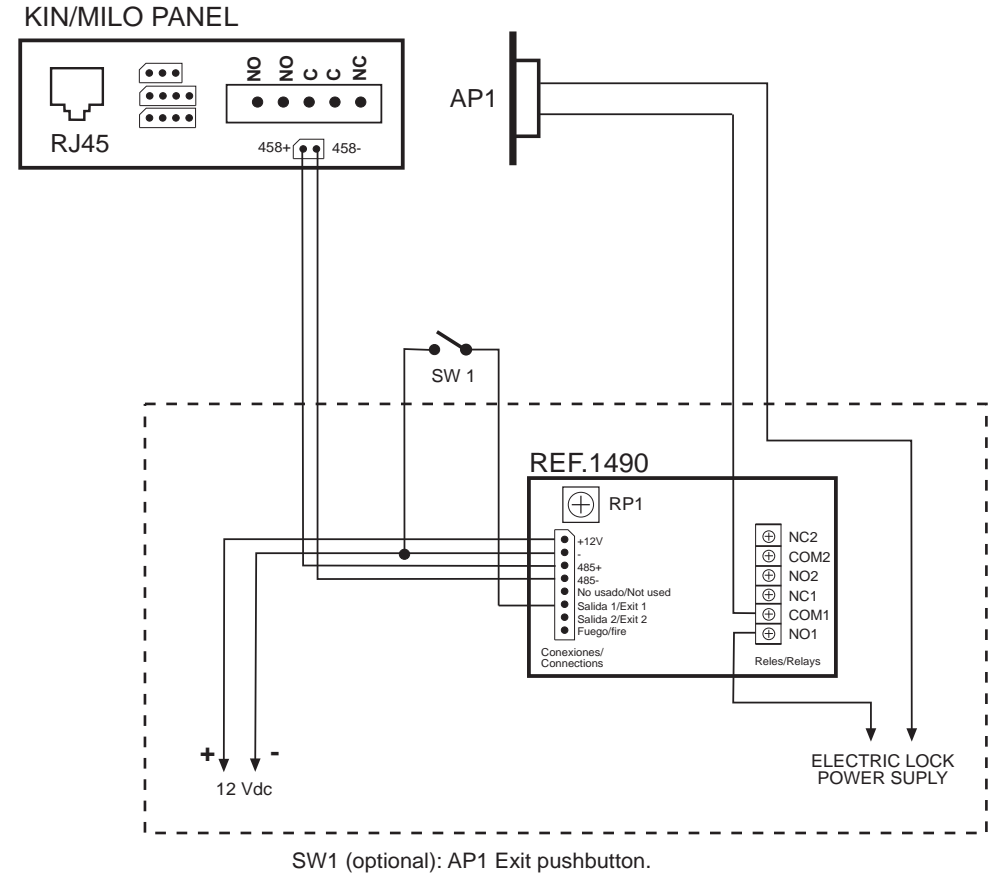
WIRING DIAGRAM (MILO 1W PANEL/ PROX. READER)



REMARKS

- AP1 or AP1': Main electric lock. Both relays are activated simultaneously from the monitor. For secure opening use AP1 instead of AP1'.
- AP2: Secondary electric lock
- RP1: AP1 & AP2 adjustment. Turning it, the LED indicates the timing in seconds by means of blinkings. The adjustment is the same for both relays. Do not let the potentiometer at their left final position (min.)
- AP1' timing is set from the panel webserver.
- Enable 1 additional electric lock in the webserver of the monitor.

WIRING DIAGRAM (KIN / MARINE PANEL)



REMARKS

- RP1: electric lock adjustment. Turning it, the LED indicates the timing in seconds by means of blinkings. Do not let the potentiometer at their left final position (min.)
- This configuration avoid that the door can be opened by means of manipulating or disassembling the outdoor panel, since the electric lock wires come from the relay module, installed in a protected place.